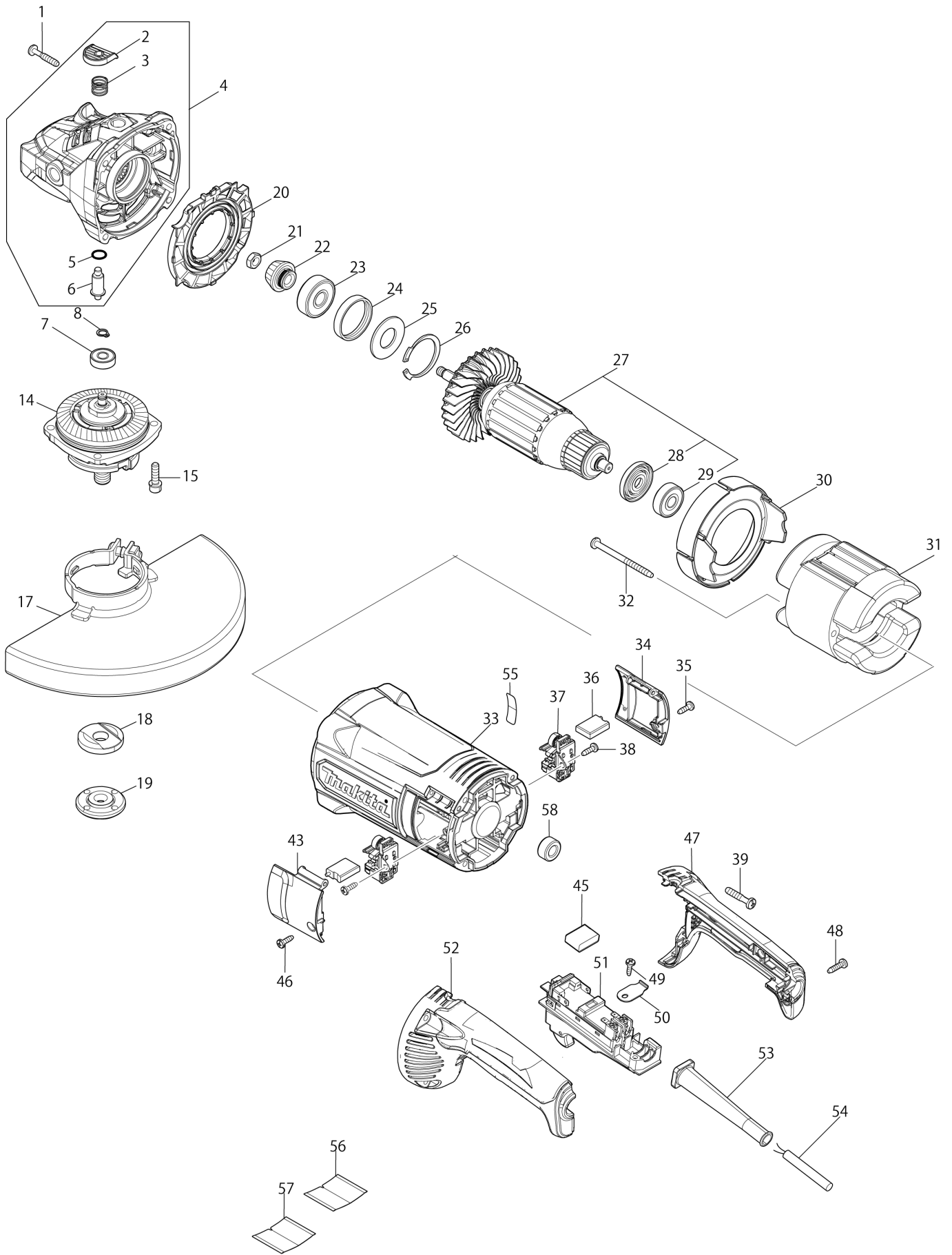


(IN) GA9082 / 230MM ANGLE GRINDER



<b>IN</b>	<b>INDIA</b>
-----------	--------------

### GA9082 / 230MM ANGLE GRINDER

Item	Sub	Parts No.	Parts Description	Qty	I/C	E/C No.	Close No.	Remark
001		251489-7	TAPPING SCREW 5X30	4			DF582	
001-1		922253-0	H.S.H.BOLT M5X30 WITH WR	4	<	DF582		
002		413H41-9	PIN CAP	1				
003		233292-8	COMPRESSION SPRING 12	1				
004		136698-8	GEAR HOUSING ASSY	1				
	C10	262118-7	FELT RING 18	1				
	C20	263002-9	RUBBER PIN 4	1				
	D10		INC. 2,3,5,6					
005		213062-1	O RING 9	1				
006		256491-5	SHOULDER PIN 5	1				
007		211032-4	BALL BEARING 608ZZ	1				
008		961004-6	RETAINING RING (EXT) S-8	1				
014		122C64-3	TORQUE LIMITER ASSEMBLY 230	1				
	C10	213760-7	O RING 78	1				
	C15	252429-8	NUT M15-23	1		Y08804	DF582	
	C16	252323-4	CIRCULAR NUT M15-23	1	<	DF582		
	C20	232163-6	CUP SPRING 20	2		Y08804		
	C25	267798-4	LOCK WASHER	1		Y08804		
	C30	227492-0	SPIRAL BEVEL GEAR 53C	1		Y08804		
	C35	265120-9	PAN HEAD SCREW M5X16	3		Y08804		
	C40	285741-1	BEARING RETAINER 50	1		Y08804		
	C45	267167-9	FLAT WASHER 15	1		Y08804		
	C50	211278-2	BALL BEARING 6203DDW	1		Y08804		
	C55	312D39-8	BEARING BOX	1		Y08804		
	C60	141D62-4	SPINDLE COMPLETE	1		Y08804		
015		265541-5	HEX. SOCKET HEAD BOLT M6X22	4				
017		122891-0	WHEEL COVER 230K ASSEMBLY	1				
	C10	213017-6	O RING 6	1				
	C20	265198-2	+PAN HEAD SCREW M8X25	1				
018		224490-5	INNER FLANGE 14-45	1				
019		224485-8	LOCK NUT 14-45	1				
020		456238-9	DIFFUSER	1				
021		252194-9	HEX. NUT M8	1				
022		227490-4	SPIRAL BEVEL GEAR 12	1				
023		211132-0	BALL BEARING 6301DDW	1				
024		262085-6	RUBBER RING 38	1				
025		267299-2	FLAT WASHER 20	1				
026		962211-4	RETAINING RING R-42	1				
027		511A29-2	ARMATURE ASS'Y 240V	1				
	C10	240161-6	FAN 86	1				
	D10		INC. 28,29					
028		681630-2	INSULATION WASHER	1				
029		211087-9	BALL BEARING 6200DDW	1				
030		456239-7	BAFFLE PLATE	1				
031		621944-7	FIELD 240V	1				
032		266038-7	TAPPING SCREW 5X70	2				
033		413599-0	MOTOR HOUSING	1				
034		456246-0	BRUSH HOLDER COVER R	1				
035		266385-6	TAPPING SCREW 4X14	1				
036		191T31-1	CARBON BRUSH SET CB-224	1				
037		643715-2	BRUSH HOLDER	2				
038		266385-6	TAPPING SCREW 4X14	2				
039		251489-7	TAPPING SCREW 5X30	4				
043		456245-2	BRUSH HOLDER COVER L	1				
046		266385-6	TAPPING SCREW 4X14	1				
047		183C63-0	HANDLE SET	1				
	D10		INC. 52					
048		266326-2	TAPPING SCREW 4X18	2				
049		266385-6	TAPPING SCREW 4X14	1				
050		687169-3	STRAIN RELIEF	1				
051		632F74-5	SWITCH UNIT	1				
052		183C63-0	HANDLE SET	1				
	D10		INC. 47					
053		682573-1	CORD GUARD 10	1				
054		695107-1	POWER SUPPLY CORD 1.5-2-2.5	1				

A:GA9082(H)

Interchange  
 O : Yes  
 X : No  
 < : the new part can be substituted for the current.  
 > : the current part can be substituted for the new.  
 S : Interchangeable as a set.

